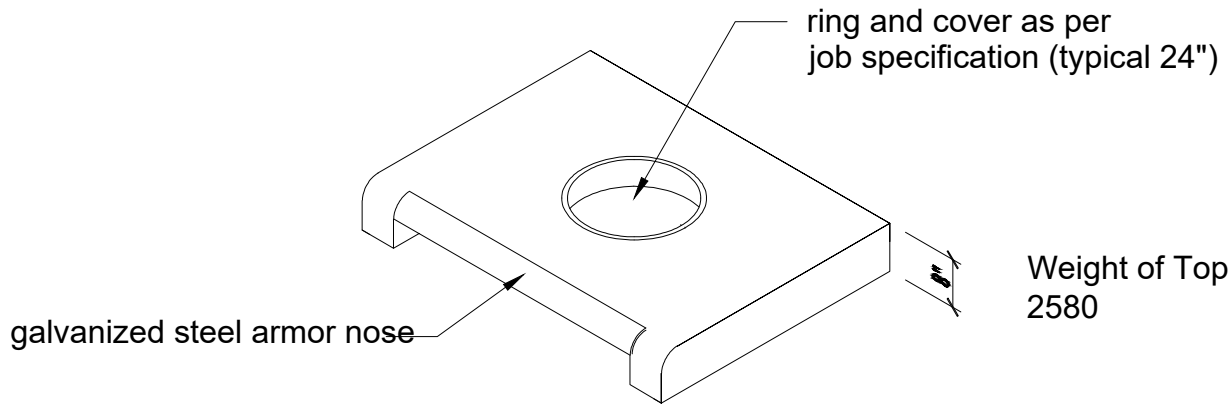
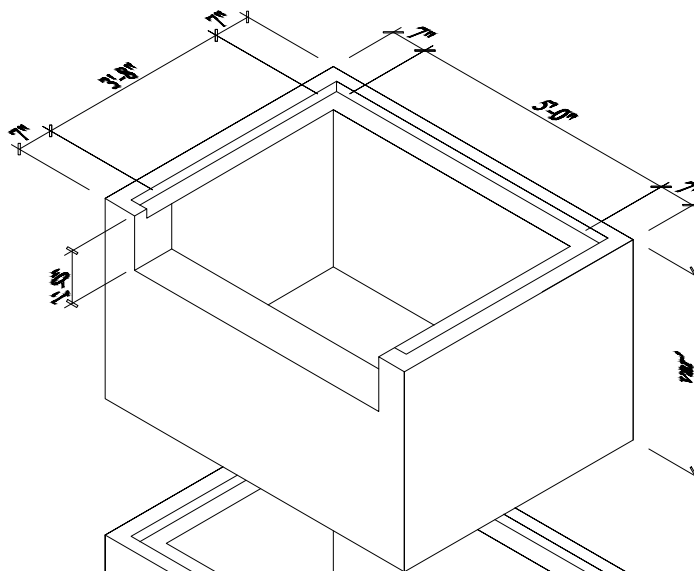


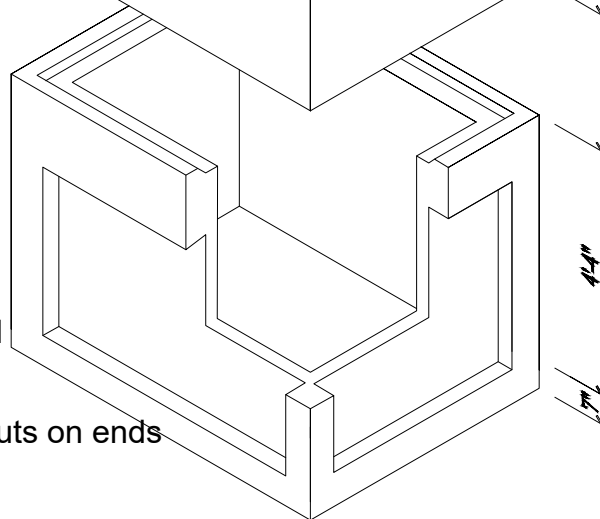
# 3'-8" x 5'-0" Type C-1 Curb Inlet



Weight of Top  
2580





Weight of Riser  
1665 VF



Weight of base: 7600 lbs

## Bottom Section:

- 48" x 34" rectangular thinwall knockouts on front and rear
- 44" x 44" rectangular knockouts on ends
- Riser sections available
- Concrete has a 28 day strength of 5,000 psi
- Steel reinforcement is ASTM A615 grade 60
- Load design is H-20

 <p>Lone Star Precast 454 Kelly Smith Lane Buda, Texas 78610 Ph: 512.312.2121</p>	 <p>NPCA CERTIFIED PLANT</p>	TITLE 3'-8" x 5'-0" Type C-1 Curb Inlet		
		PART NO -	DWG NO -	REV
DRAWN SKP	DATE 02/06/2023	SCALE 1 / 40	Dimensions Unit: inch	SHEET 1 OF 1